

# R3114-R3138-R3121

Stainless steel AISI 316L pressure regulator,  
for compressed air, gas and liquid



## FEATURES

Pressure regulator for inlet pressure up to 50 bar (725 psi).

Connection ports:

R3114 1/4"-F

R3138 3/8"-F

R3121 1/2"-F

Different connections available on request:  
3/4" or welded flanges.

Outlet pressure, up to 15 bar (217 psi), is controlled by stainless steel diaphragm; greater outlet pressure are controlled by a piston.

Balanced main valve

Available the ATEX 2014/34/EU version.

Brand X II2GcIICTX

X II2DcIICTX.

For use in potentially explosive atmosphere zones: 1, 21, 2, 22 (not applicable in mines and zone 0).

Available the EAC-EX TP TC 012/2011 versions for the Russian market.

The product complies with the 2014/68/EU PED directive.

The product is registered at the Canadian authority ABSA, CRN 0C11053.2, and can be sold and used in Canada.

## SPECIFICATIONS

Weight (R3114/R3138): diaphragm model ~1.6 kg (~3.5 lb), piston model ~1.9 kg (~ 4.2 lb)

Weight (R3121): diaphragm model ~2.2 kg (~4.8 lb), piston model ~2.3 kg (~5 lb)

Operating temperature: -20°C ÷ +60°C (-4 °F ÷ +140 °F) for standard version

Main valve leakage classification: VI (bubble tight)

Flow coefficient R3114/R3138:  $K_v = 0.5 \text{ Nm}^3/\text{h}$   $C_v = 0.59 \text{ US gal/min}$

Flow coefficient R3121:  $K_v = 1.8 \text{ Nm}^3/\text{h}$   $C_v = 2.11 \text{ US gal/min}$

fbmG¼ gauge port on both sides

## MATERIALS

Body and bonnet: stainless steel AISI 316L

Internal parts: stainless steel AISI 316L

Main valve spring: stainless steel AISI 304 (for R3114 and R3138), AISI 316 (for R3121)

Adjusting spring: stainless steel AISI 302 (not in contact with the fluid)

Diaphragm: stainless steel AISI 316L

Piston: stainless steel AISI 316L

O-Rings: NBR/FPM/EPDM depending on the fluid (different compounds available on request)

Main valve gasket: NBR/FPM/EPDM depending on the fluid

PUR for inlet pressure greater than 30 bar

Other compounds available on request

## ACCESSORIES

Pilot-controlled version, the outlet pressure is controlled by a pilot regulator

Panel mounting ring-nut

Wall mounting bracket + ring-nut

Overpressure relieving function (only for compressed air versions)

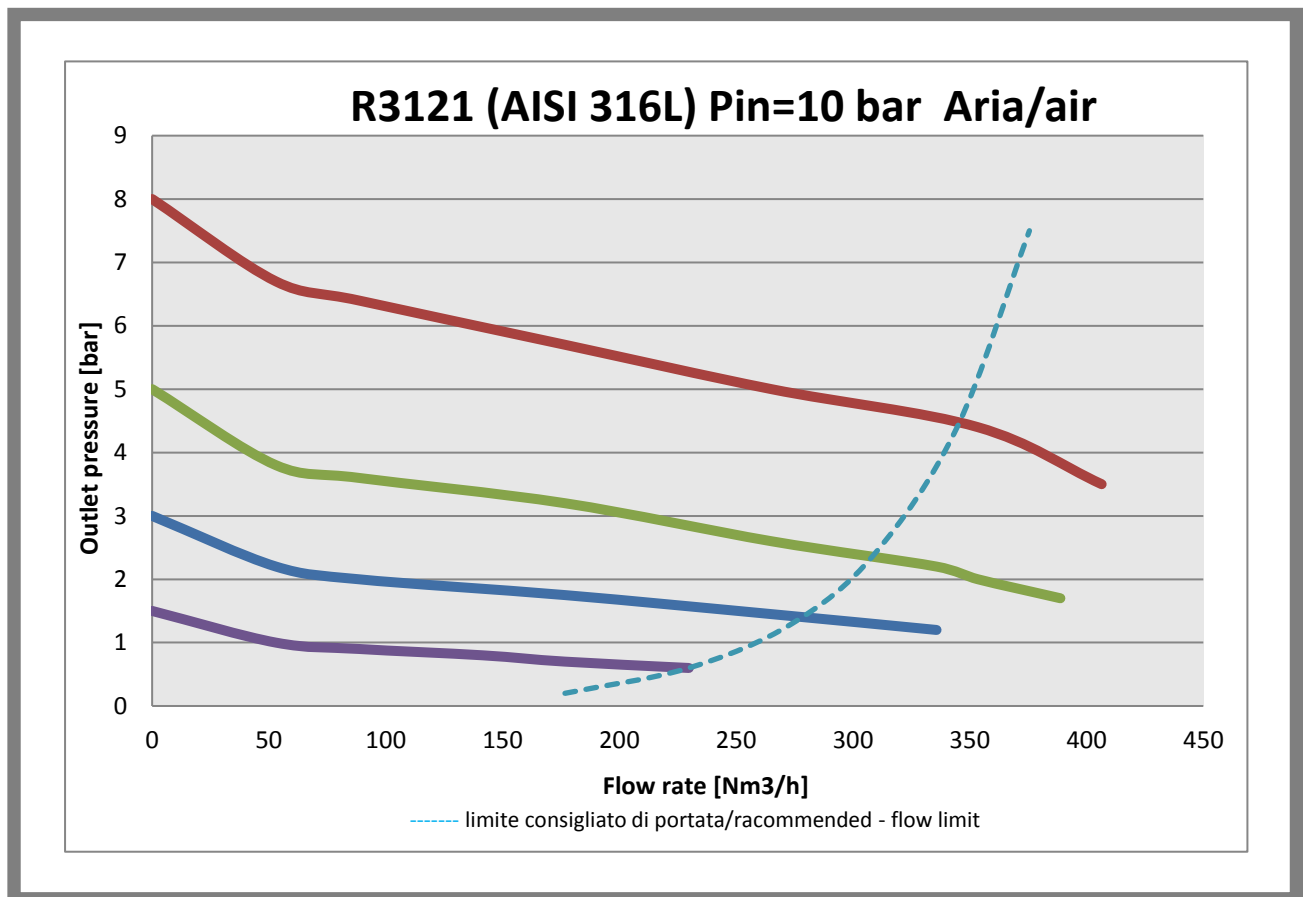
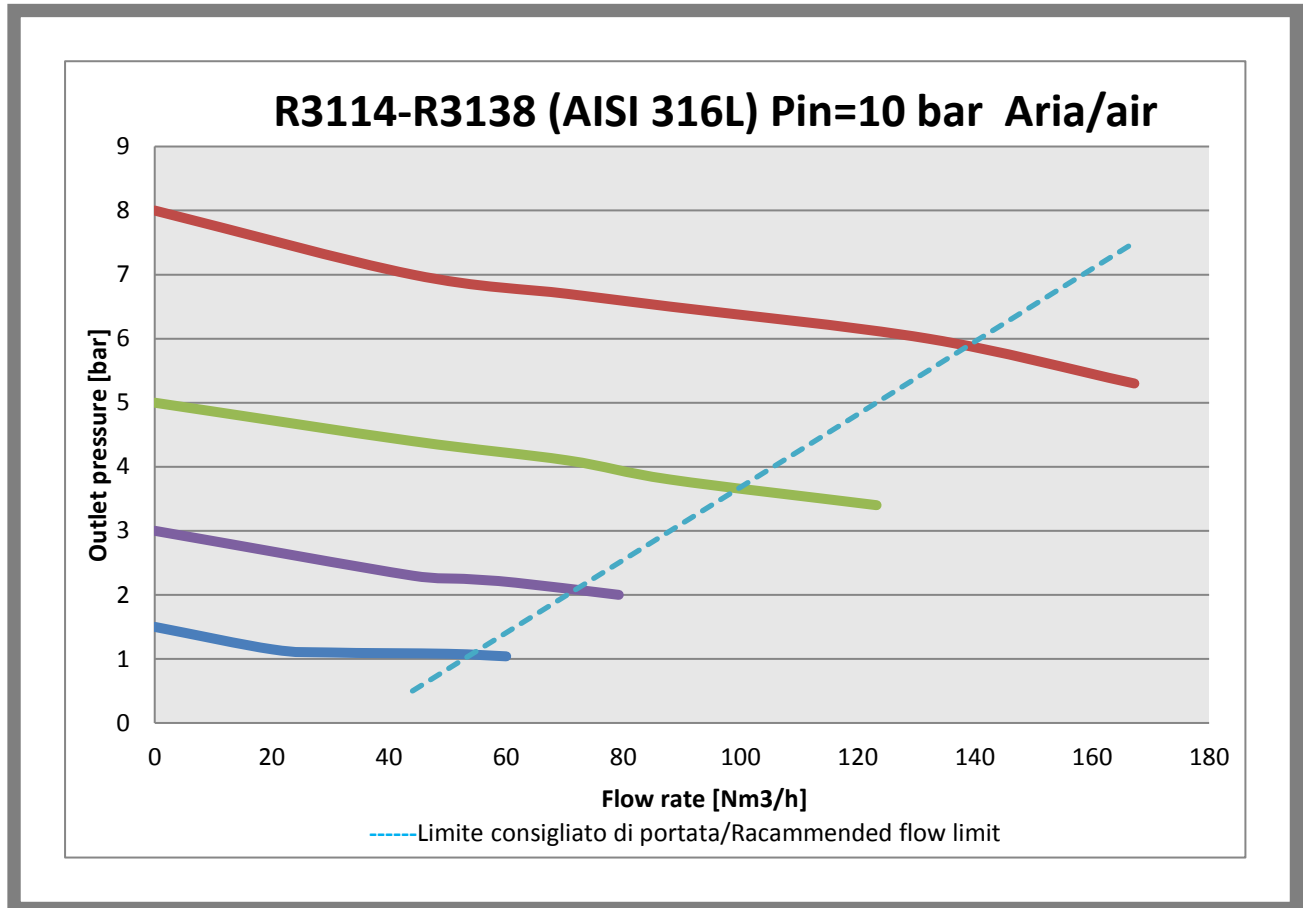
Gauge for outlet pressure (accuracy class 1.6)

## SPARE PARTS

Gauges

Complete kit: net filter, complete main valve, o-rings, assembled diaphragm

## flow charts



## generating the product code

Reg. R3121+R3114R3138			
AA BB CC DD E F GG			
AA	Attacchi / Connections	L0	R3138 G3/8-F
		N0	R3114 G1/4-F
		P0	R3121 G1/2-F
BB	Pressione d'ingresso / Inlet pressure	D0	30bar
		E0	50bar
		H0	15bar
CC	Intervallo d'uscita/ Outlet range	A0	Pout 0,2 - 1,5 bar
		B0	Pout 0,3 - 3 bar
		D0	Pout 0,8 - 8 bar
		E0	Pout 1,5 - 15 bar
		F0	Pout 3-30 bar
		G0	Pout 5-50 bar
DD	Tipologia di fluido / Fluid type	01	Relieving
		02	NH3 3-UNI 11144
		15	O2
		97	NBR
		98	EPDM
		99	FPM
E	Pilotato / Pilot operated	n	Non pilotato
		p	Pilotato
F	Marchiato / Marked	I	ID
		Z	Dir ATEX 2014/34/EU
GG	Accessori/Accessories	00	Nessun accessorio

### CODE COMPOSITION EXAMPLE

**533#N0 D0 D0 99 N I 00**

**533#:** standard AISI 316L pressure regulator

**N0:** connection G ¼-F

**D0:** maximum inlet pressure 30 bar

**D0:** outlet pressure range 0,8-8 bar

**97:** NBR gaskets

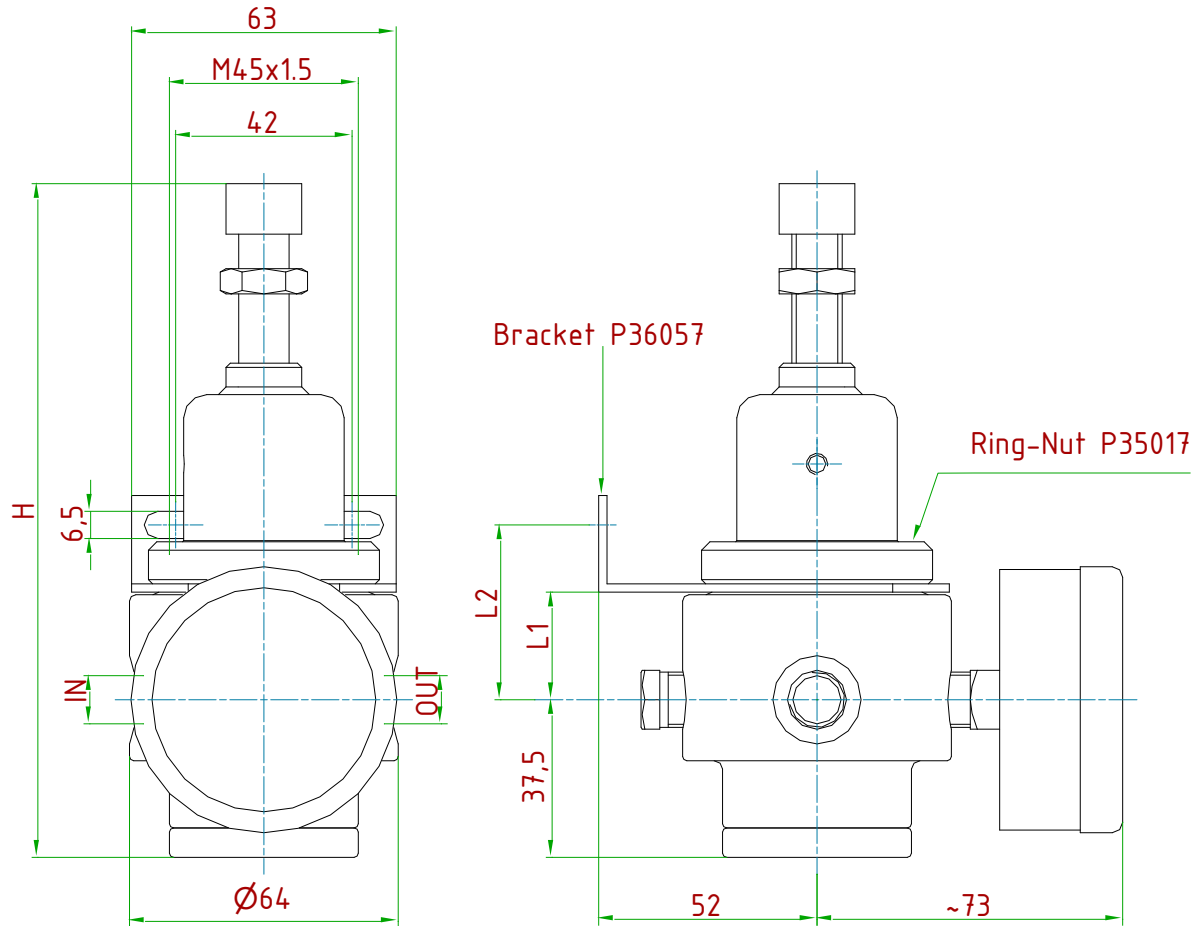
**N:** not pilot-controlled

**I:** ID

**00:** no accessories

technical drawings (all dimensions in mm)

Bracket and Ring-Nut to be ordered separately  
 Kit order number: M13302



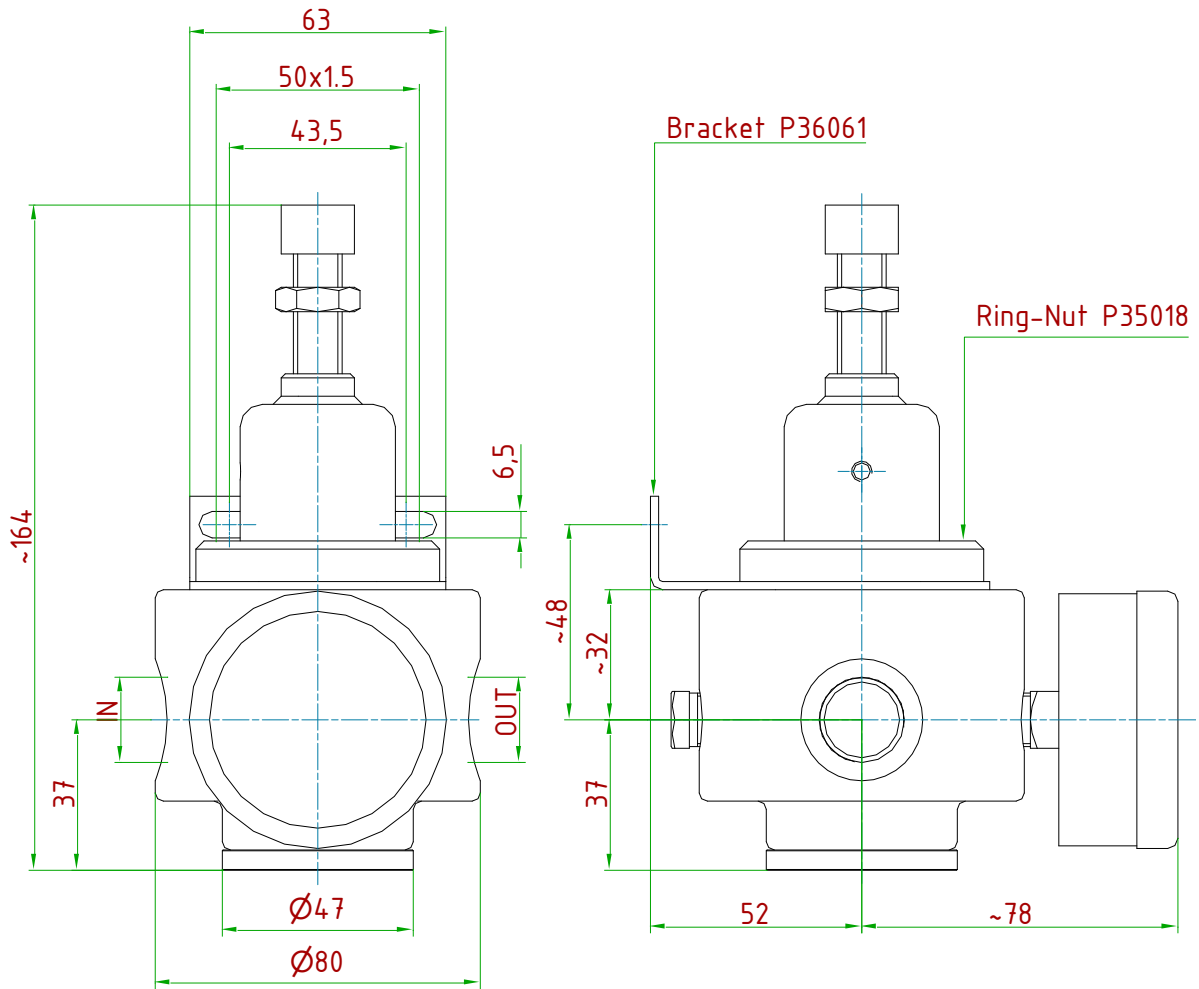
TYPE	IN/OUT
R3114 1/4"GF	G 1/4"-F
R3138 3/8" GF	G 3/8"-F
R3114 1/4"NPTF	1/4" NPT-F
R3138 3/8" NPTF	3/8" NPT-F

TYPE	H	L1	L2	OUTLET PRESSURE
Diaphragm	~161	26	42	UP TO 15 bar
Piston	~175	42.5	58.5	MORE THAN 15 bar

# technical drawings (all dimensions in mm)

Bracket to be ordered separately, Kit order number: M13304

TYPE	IN/OUT
R3121 1/2"GF	G 1/2-F
R3121 1/2"NPTF	1/2"NPT-F



## **ID Insert Deal Srl**

Strada dei Boschi, 40  
20852 Villasanta (MB) Italia  
tel. +39 039 302035  
[info@idinsertdeal.com](mailto:info@idinsertdeal.com)  
[www.idinsertdeal.com](http://www.idinsertdeal.com)

ID Insert Deal si riserva il diritto di cambiare le specifiche del prodotto senza preavviso.  
ID Insert Deal reserves the right to change and/or modify product specifications without prior notice.

Insert Deal non si assume alcuna responsabilità per la scelta, uso e manutenzione di qualsiasi prodotto. La responsabilità per l'ideale scelta, uso e manutenzione di qualsiasi prodotto ID rimane interamente a carico dell'acquirente.

Insert Deal does not assume responsibility for selection, use and maintenance of any products. Responsibility for proper selection, use and maintenance of any ID products remains entirely to the purchaser.

Riproduzione vietata. Tutti i diritti riservati; nessuna parte del presente documento può essere riprodotta senza autorizzazione di ID Insert Deal Srl.  
Reproduction forbidden. All rights reserved; the hereby document can't be reproduced, also partially, without the authorization of ID Insert Deal Srl.

**PRESSURE REGULATOR\_533(R3114-R3138-R3121)\_EN\_04**



Azienda con sistema di gestione qualità certificato.  
**certificato N° 50 100 9191**  
Company with certificated quality management system.  
**certificate N° 50 100 9191**